

# PYRAGON

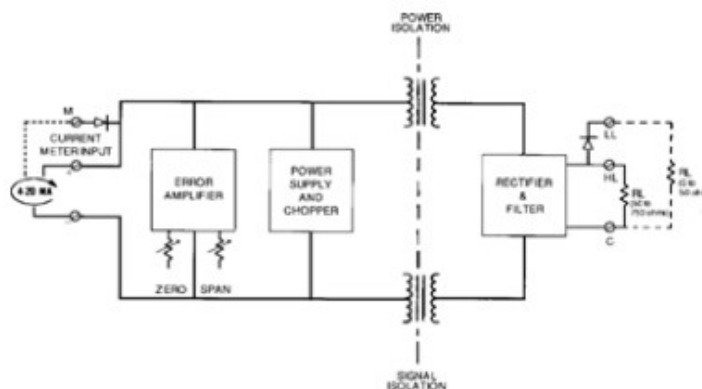
ELECTRONIC INSTRUMENTATION

## SCX-102 Loop Isolator

Adtech is a subsidiary of PYRAGON.

The **SCX 102 loop isolator** provides a solution for ground loops and problems encountered in connecting together recorders, process control systems, and computers. The SCX 102 breaks the galvanic path between the transmitted signal and the output receiving device, insuring reliable and accurate current-to-current signal transfer.

- The SCX 102 accepts a 4-20 mA DC signal and provides an isolated 4-20 mA DC output.
- Operating power is derived from the input signal, so no external power source is required.
- The SCX 102 is easily inserted between the loop(s) requiring input/output isolation providing an exact one-to-one 4-20 mA DC current transfer.
- The SCX 102 provides the lowest input burden in its class, making it ideally suited for most signal repeating /isolating applications.
- Standard features include a 0 to 750 ohm output load range, and  $\pm 0.1\%$  accuracy without the need to recalibrate for load resistance changes.
- Additional standard features include reverse polarity protection and convenient current monitoring terminals as shown in the diagrams.
- An extremely important standard feature is an output overvoltage clamp that prevents overloading of the input loop under an open output loop condition.
- Din mounting is supplied as standard. Surface mount (option H 26) and snap trak (option H 25) are available at no extra cost, specify.



### Features and Benefits

- **DC current input/output: 4-20 mA**
- **Repeatability:  $\pm 0.01\%$  of span**
- **High accuracy:  $\pm 0.1\%$  of span**
- **Output ripple: Less than 0.1% of output span**
- **No external power source: Loop powered**
- **4 Year warranty**

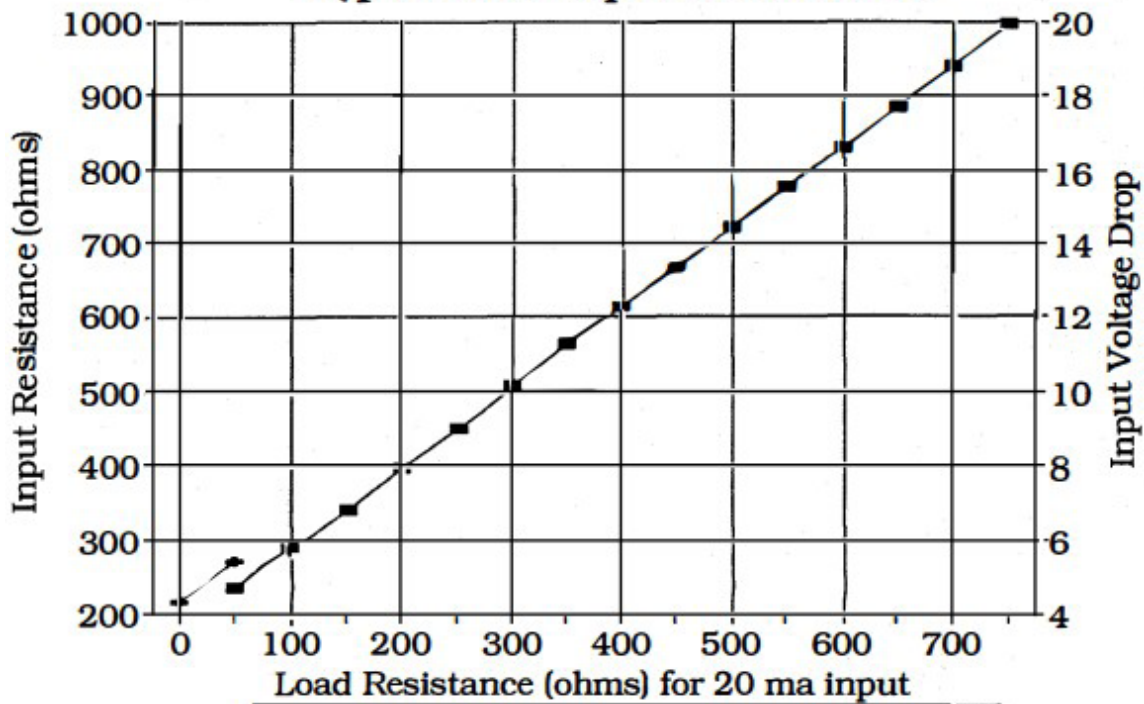
### Applications

- Interface Non-Equal Plant Ground Systems
- Solves Ground Loop Problems
- Meet Safety Standards for Shock Hazard
- Computer/Programmable Controller Interface

**Product Specifications**

<b>Input Signals</b>	4-20 mA DC
<b>Output Signals</b>	4-20 mA
<b>Calibrated Accuracy</b>	±0.1% including the combined effects of repeatability, hysteresis, adjustment resolution, and terminal linearity
<b>Temperature Stability</b>	0.01%/ °C max., ±0.004%/°C typical voltage
<b>Load Resistance Effect</b>	0.1% of output span maximum over the entire load range Output Ripple: ±0.1% of output span max
<b>Response Time</b>	150 milliseconds
<b>Temperature Range</b>	-18°F to 185°F(-25°C to 85°C Operating; -40°F to 200°F(-40°C to 93°C)
<b>Storage Isolation</b>	250 VAC, 350 VDC common-mode (It will withstand 1,500 VAC dielectric strength test for 1 minute without breakdown.)
<b>Input Voltage Drop</b>	2.8 + 1.1 (RL + 40) I-Input (Where I- Input is in amps)
<b>External Power</b>	None
<b>Electrical Classification</b>	General purpose
<b>Connection</b>	Screw compression type, accepts up to 14AWG wire
<b>Controls</b>	Multiturn potentiometers for zero / span
<b>Mounting</b>	DIN - standard (see other options below)
<b>Weight</b>	Net Unit: 4 oz. (115 grams), Shipping: 7 oz. (200 grams)

**Equivalent Input Resistance**



# SCX-102 Loop Isolator

## How to Order

The PYRAGON ordering information needed.

- Model number
- Mounting, housing and miscellaneous options

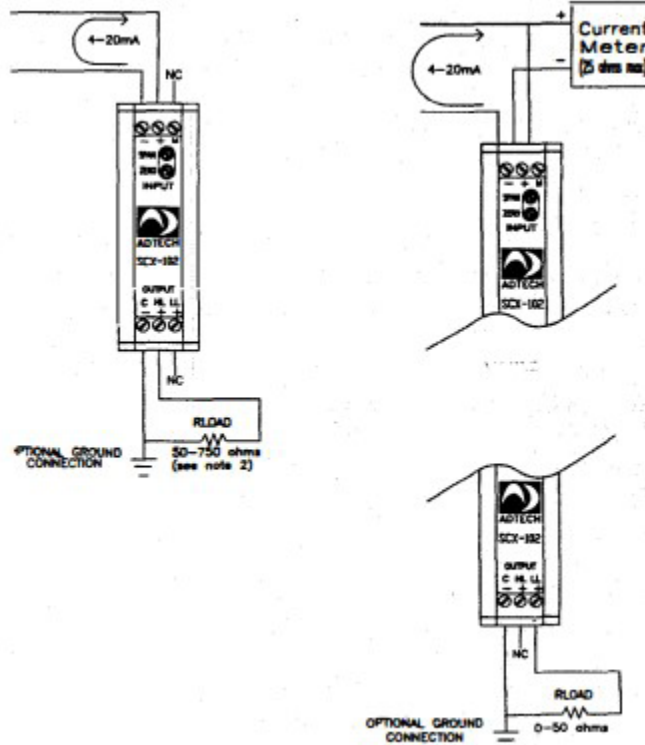


Accessory	Designator
Explosion Proof: Class 1, Group B,C & D	H 15D
Snap Track Mount	H 25
Surface Mounting	H 26
NEMA 4 Enclosure	H 27
T 35 DIN "T" rail 2 ft. long	H 29
T 32 DIN "G" rail 2 ft. long	H 30



## Connections

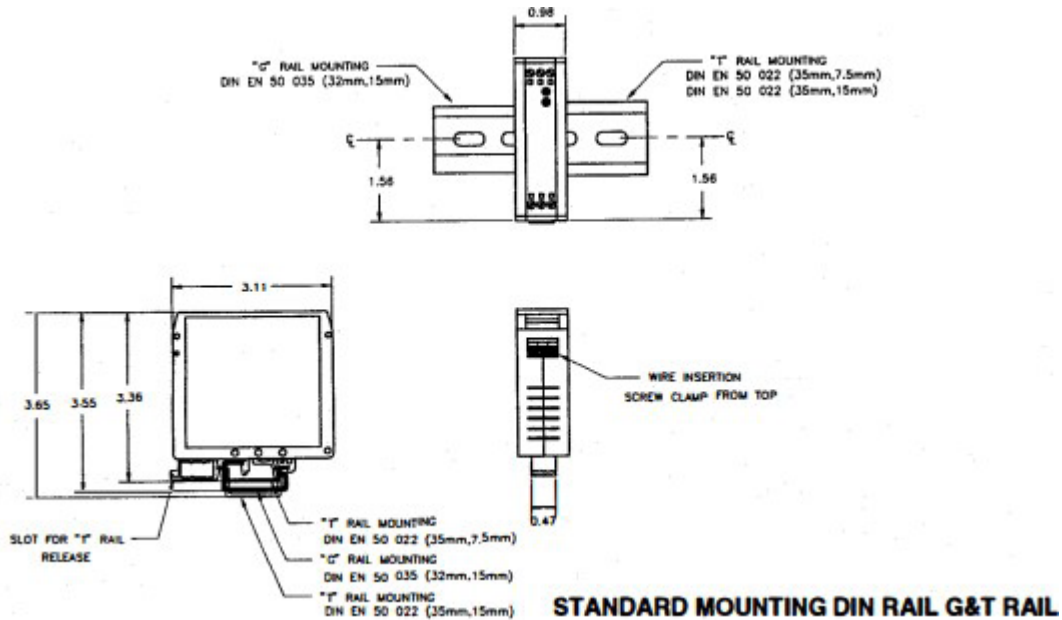
Connections shown are for reference only. They may be changed without notice. Contact the factory for certified connection drawings.



# SCX-102 Loop Isolator

## Dimensions

Dimensions shown are for reference only. They may be changed without notice. Contact the factory for certified dimension drawings.



# PYRAGON

ELECTRONIC INSTRUMENTATION

Rochester, NY USA | 1-585-697-0444 | Fax 1-585-697-0445 | [PYRAGON.com](http://PYRAGON.com)

*Adtech is a subsidiary of PYRAGON*

## REGIONAL OFFICES

### China

SOR China | Beijing, China | [china@SORInc.com](mailto:china@SORInc.com)  
+86 10 5820 8767 | Fax +86 10 5820 8770

### Middle East

SOR Measurement & Control Instrumentation DMCC | Dubai, UAE  
[middleeast@SORInc.com](mailto:middleeast@SORInc.com) | +971 4 278 9632 | Fax +1 913-312-3596